

MICRO SWITCH

A DIVISION OF MINNEAPOLIS-HONEYWELL REGULATOR COMPANY
FREEPORT, ILLINOIS

FED. MFR. CODE 91929

SWITCH - BASIC

CATALOG LISTING

BZ - 2RW822

APF1000

DRAWING NUMBER
BZ-2RW822
PAGE 1 OF 1

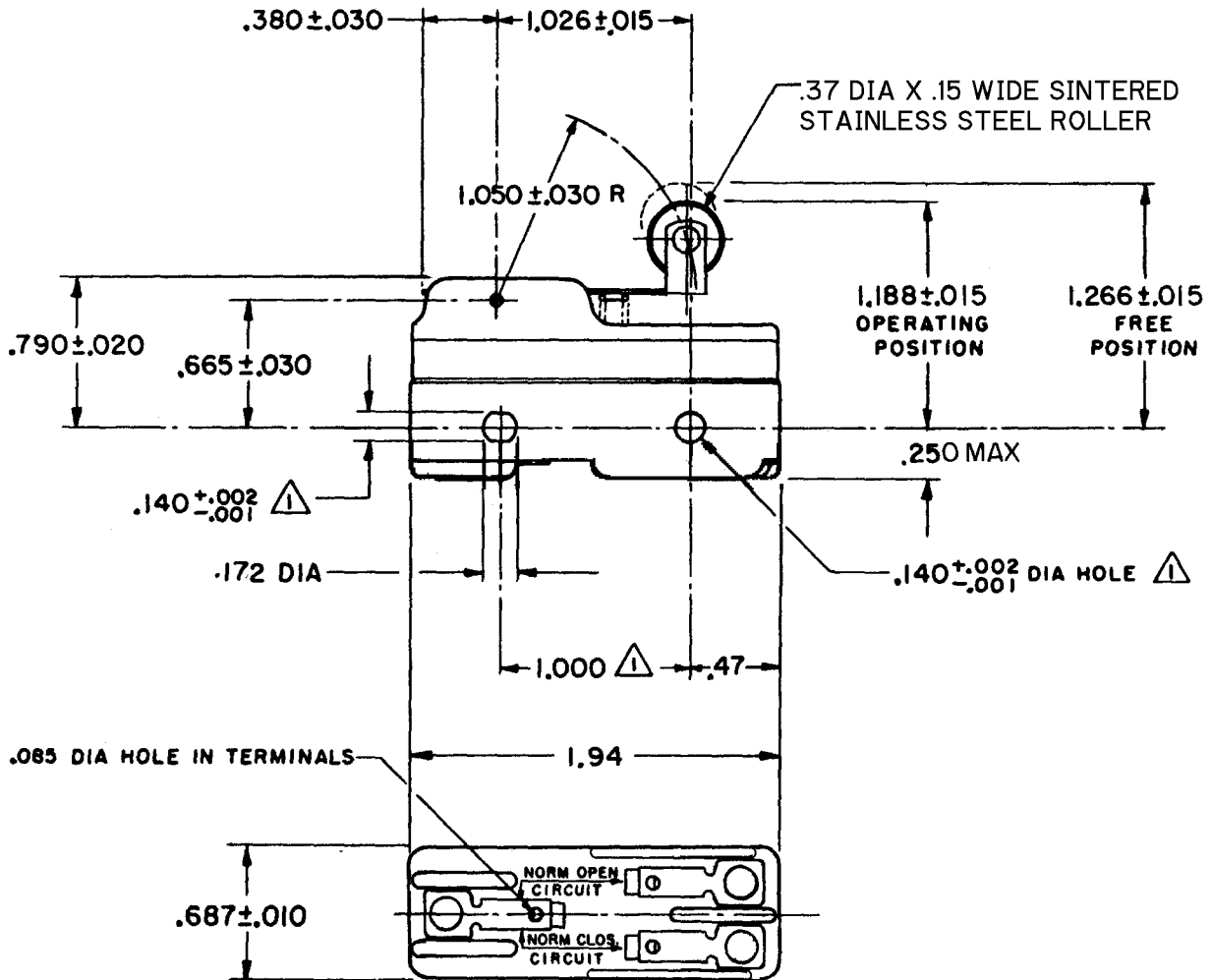
ISSUE
M
17

REVISIONS

L	0018449	TGP	18 FEB 06
B	CO 34306	GLH	8 JUL 75
C	CO 46304	H J H	21 NOV 79
D	CO 52446	WJM	31 JAN 83
E	CO 58037	SMA	1 OCT 85
F	CO 70184-H	GRT	2 JUN 92
G	CO-75204B	DAW	1 FEB 94
H	CO-78874	DLT	18 NOV 94
J	CO93346	DLT	2 SEP 98
K	CO-94212-J	J J A	5 OCT 99

FORMTEK
FO-50378
DRAWN
GCH

REPLACES
RELEASE NO.
CHECK
18 FEB 06
RJ
CHECK
11 APR 02
CHECK
30 MAR 02



NOTE
MOUNTING HOLES WILL ACCEPT PINS OR SCREWS OF .139 MAX DIA ON 1.000 ± .002 CENTERS.

THIS DRAWING COVERS A PROPRIETARY ITEM AND IS THE PROPERTY OF MICRO SWITCH, A DIVISION OF MINNEAPOLIS-HONEYWELL REGULATOR CO. THIS DRAWING IS NOT TO BE COPIED OR USED WITHOUT THE APPROVAL OF MICRO SWITCH.

CHARACTERISTICS	ELECTRICAL DATA	SCALE FULL
OPERATING FORCE ----- 6 OZ MAX	CONTACT ARRANGEMENT S P D T	DO NOT SCALE PRINT
RELEASE FORCE ----- 1 1/2 OZ MIN	-L74- 15A-125, 250, OR 480 VAC, 2A-600 VAC 1/2 A-125 VDC; 1/4 A-250 VDC 1/8 HP-125 VAC; 1/4 HP-250 VAC	UNLESS OTHERWISE SPECIFIED DIMENSIONS ARE IN INCHES TOLERANCES ARE:
DIFFERENTIAL TRAVEL ----- .003-.020	-L288-	ONE PLACE (.0) ±.030 TWO PLACE (.00) ±.015 THREE PLACE (.000) ±.005 ANGLES ±
OVERTRAVEL ----- .094 MIN	-L306- -L315- 16A 250V ~ T85 5E4	WEIGHT .063 LB